

HLV-1310 (Unifamiliar)

Monitor

Funciones

Communication

- Duplex Communication

Connection

- 1 Camera to 4 monitors

Others

- Door release function

Compatible Appliances

- Door striker (DC 12V, 0.5A)

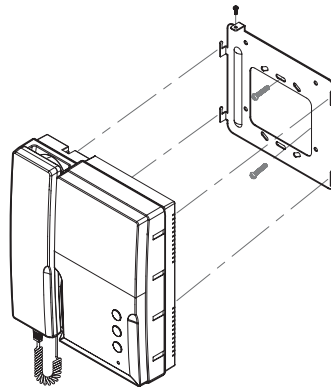
Image memory compatible

- Max.60cuts (color)

Especificaciones

Power	AC 90 ~ 264V, 50/60Hz
Power Consumption	15W (B/W), 13W (Color)
Dimension	188(W) × 208(H) × 62(D)mm
Wiring	Camera to Monitor : 4 wires / TIV 0.65mm, 50m
Operating Temperature	0°C ~ 40°C / 32 °F ~ 104 °F
Weight	0.9kg / 1.98 lbs (Color) 1.2kg / 2.64 lbs (B/W)
Installation	Wall mount type
Available Door Camera	HLC - 10

Montaje



Configuracion unifamiliar

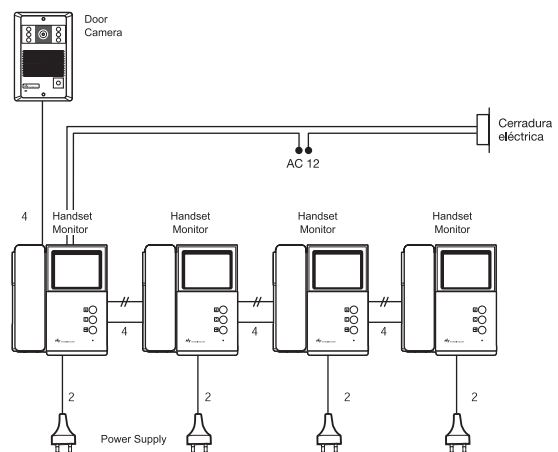


Diagrama conexión

