



Monitor de pared

HA-300 (B/W) / HAC-300 (Color)

Línea M ● (Multifamiliar)

Monitor

Funciones

Communication

- Duplex Communication

Connection

- 2 Cameras to 4 monitors

Others

- Door release function

Compatible Appliances

- Door striker (DC 12V,0.5A)

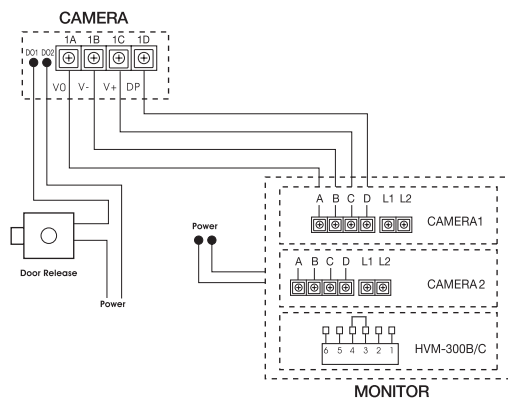
Image memory compatible

- Max.60cuts (color)

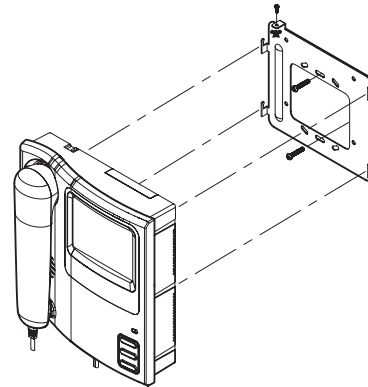
Especificaciones

Power	DC12V, 1.5A or 90~250V, 50/60Hz (Smpls)
Power Consumption	8.9W (Color)
Dimension	198(W) × 211(H) × 57(D)mm
Wiring	Camera to Monitor : 4wires / TIV 0.65mm, 50m
Operating Temperature	0°C ~ 40°C / 32 °F ~ 104 °F
Weight	1.06kg / 2.34 lbs (Color) 1.3kg / 2.86 lbs (B/W)
Installation	Wall mount type
Available Door Camera	HCC-300, HCC-500, HCC-600, HCC-700 (Color) HCB-300, HCB-500, HCB-600 HCB-700 (B/W)

Diagrama eléctrico



Montaje



Configuración unifamiliar

